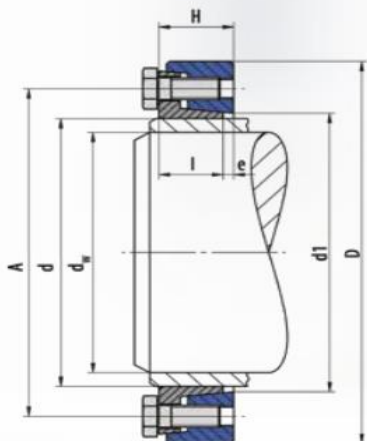


3173 1.4122 2-parts (stainless)



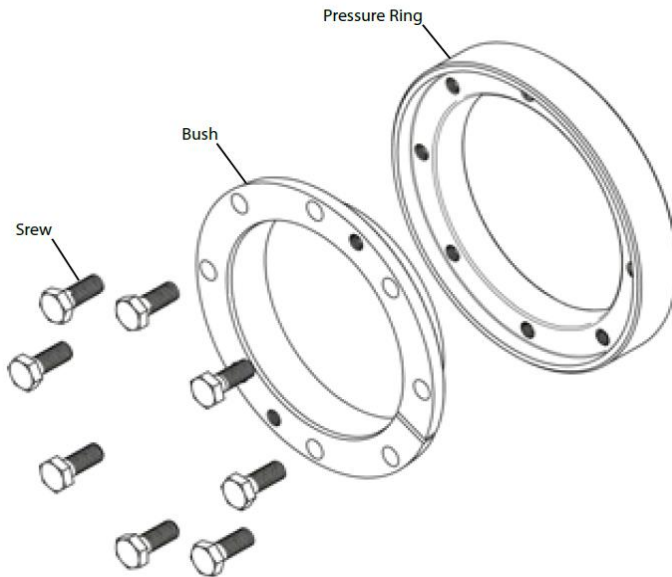
Used symbols (使用される記号)

d	[mm]	Nominal diameter of the shrink disc (シュリンクディスク内径)
d _w	[mm]	Shaft diameter (軸径)
M _{max}	[mm]	Maximal transmittable torque (伝達トルク)
D	[mm]	Outer diameter (シュリンクディスク外径)
ℓ	[mm]	Length of the bush (内輪高さ ℓ)
e	[mm]	Excess length (余長 (約))
H	[mm]	Width of the shrink disc (シュリンクディスク高さ)
A	[mm]	Pitch circle diameter (ボルトピッチ形)
d ₁	[mm]	Attachment size (外輪内径)
MA	[Nm]	Tightening torque of the clamping screws (ボルト締付トルク)
Z		Number of clamping screws (ボルト数)
S		Size of the clamping screws (ボルトサイズ)
n _{max}	[min ⁻¹]	Permitted rotational frequency (最大許容回転数)
P _N	[N/mm ²]	Moderate pressure to the hub (中空軸 面圧 (中間値))
I	[kgm ²]	Moment of inertia (慣性モーメント)

Design of the shrink disc (シュリンクディスクのデザイン)

- Without washers (ワッシャなし)
- Bush complete slit
- Dimensions H & e in unlocked position (H,e寸法は、無負荷時)

min. yield strength Rp0,2	N/mm ²	
Solid shaft	240	(軸 降伏応力最小値)
Hub	290	(中空軸 降伏応力最小値)



カタログ番号

Ordering information: TAS 3173-d 1.4122 又は、
TAS 3173-d SS2

標準シャフト径dw からの派生対応領域			
dw径		minimal	maximal
>	≤	-	+
mm	mm	mm	mm
20	60	-2	1
60	100	-2	2
100	160	-3	2
160	220	-4	2
220	300	-5	2

$$M = M_{max (Catalog)} \left(\frac{d_{W (target)}}{d_{W (Catalog)}} \right)^2$$

(see Basics - Calculation)

《寸法性能表》

d	dW	Mmax	D	φ	e	H	A	d1	MA	Z	S	DIN	Class	nmax	P _N	l	Weight
mm	mm	Nm	mm	mm	mm	mm	mm	mm	Nm	Stk				min-1	N/mm ²	kgm ²	
24	20	85	50	11	2.5	13.5	38	25	8	6	M6x12	933	A4-K80	11400	161	0.00005	0.14
29	25	135	58	11	2.5	13.5	44	32	8	6	M6x12	933	A4-K80	9800	150	0.00010	0.18
34	29	160	64	11	2.5	13.5	50	38	8	6	M6x12	933	A4-K80	8900	134	0.00014	0.21
35	29	150	64	11	2.5	13.5	50	38	8	6	M6x12	933	A4-K80	8900	135	0.00014	0.21
38	34	235	69	11	2.5	13.5	55	43	8	6	M6x12	933	A4-K80	8300	123	0.00019	0.24
40	35	240	69	11	2.5	13.5	55	43	8	6	M6x12	933	A4-K80	8300	124	0.00018	0.23
44	36	280	80	15	3	18	62	49	8	6	M6x16	933	A4-K80	7100	141	0.00046	0.44
46	38	330	80	15	3	18	62	49	8	6	M6x16	933	A4-K80	7100	142	0.00045	0.42
47	40	400	80	15	3	18	62	49	8	6	M6x16	933	A4-K80	7100	144	0.00045	0.42
51	44	550	85	15	3	18	67	54	8	6	M6x16	933	A4-K80	6700	124	0.00056	0.46
56	48	570	90	15	3	18	72	59	8	8	M6x16	933	A4-K80	6300	132	0.00069	0.49
57	48	570	90	15	3	18	72	59	8	8	M6x16	933	A4-K80	6300	130	0.00068	0.48
61	53	680	95	15	3	18	76	64	8	8	M6x16	933	A4-K80	6000	122	0.00084	0.53
65	58	740	100	15	3	18	82	69	8	8	M6x16	933	A4-K80	5700	108	0.00102	0.57
66	58	740	100	15	3	18	82	69	8	8	M6x16	933	A4-K80	5700	110	0.00100	0.56
70	62	910	115	21	3	24	94	77	19	6	M8x20	933	A4-K80	4900	106	0.00262	1.15
72	63	940	115	21	3	24	94	77	19	6	M8x20	933	A4-K80	4900	107	0.00257	1.12
73	63	940	115	21	3	24	94	77	19	6	M8x20	933	A4-K80	4900	111	0.00254	1.1
75	67	1140	120	21	3	24	100	82	19	6	M8x20	933	A4-K80	4700	101	0.00304	1.21
76	68	1210	120	21	3	24	100	82	19	6	M8x20	933	A4-K80	4700	103	0.00302	1.2
78	68	1210	120	21	3	24	100	82	19	6	M8x20	933	A4-K80	4700	102	0.00295	1.15
81	73	1240	125	21	3	24	104	87	19	8	M8x20	933	A4-K80	4500	92	0.00349	1.26
83	75	1380	125	21	3	24	104	87	19	8	M8x20	933	A4-K80	4500	95	0.00341	1.21
85	77	1420	130	21	3	24	110	92	19	8	M8x20	933	A4-K80	4400	92	0.004	1.35
86	78	1470	130	21	3	24	110	92	19	8	M8x20	933	A4-K80	4400	92	0.004	1.32
88	80	1470	130	21	3	24	110	92	19	8	M8x20	933	A4-K80	4400	95	0.004	1.27
93	83	1630	135	21	3.5	24.5	114	97	19	8	M8x20	933	A4-K80	4200	92	0.004	1.33
94	85	1800	135	21	3.5	24.5	114	97	19	8	M8x20	933	A4-K80	4200	94	0.004	1.3
96	88	1730	140	21	3.5	24.5	120	102	19	8	M8x20	933	A4-K80	4000	83	0.005	1.44
98	90	1900	140	21	3.5	24.5	120	102	19	8	M8x20	933	A4-K80	4000	86	0.005	1.39
100	92	2140	145	21	3.5	24.5	124	107	19	8	M8x20	933	A4-K80	3900	91	0.006	1.53
103	95	2310	145	21	3.5	24.5	124	107	19	8	M8x20	933	A4-K80	3900	92	0.006	1.44
106	98	2160	150	21	3.5	24.5	128	112	19	8	M8x20	933	A4-K80	3800	82	0.01	1.56
108	100	2340	150	21	3.5	24.5	128	112	19	8	M8x20	933	A4-K80	3800	84	0.01	1.5
112	103	2340	160	25	4	29	134	119	19	8	M8x20	933	A4-K80	3500	87	0.01	2.16
115	105	2540	160	25	4	29	134	119	19	8	M8x20	933	A4-K80	3500	91	0.01	2.04
120	110	3030	169	25	4	29	140	124	19	8	M8x20	933	A4-K80	3400	98	0.01	2.06
123	113	2910	169	25	4	29	144	129	19	8	M8x20	933	A4-K80	3300	90	0.01	2.22
125	115	3160	169	25	4	29	144	129	19	8	M8x20	933	A4-K80	3300	93	0.01	2.14
130	120	3370	174	25	4	29	150	134	19	12	M8x20	933	A4-K80	3200	89	0.0130255	2.21
135	125	3810	179	25	4	29	154	139	19	12	M8x20	933	A4-K80	3200	92	0.0143352	2.28
138	128	3600	184	25	4	29	160	144	19	9	M8x20	933	A4-K80	3100	92	0.0161739	2.45
140	130	3700	184	25	4	29	160	144	19	9	M8x20	933	A4-K80	3100	94	0.0157304	2.35